



REKLUSE MOTOR SPORTS

The Rekluse Core EXP Kit with Adjustable Slave Cylinder

INSTALLATION & USER'S GUIDE

Doc ID: 191-7704A

Doc Rev: 102915

OVERVIEW

- This kit replaces the OEM core clutch components including the center clutch hub and pressure plate with high-quality billet components designed for optimal operation specific to your bike.
- All 8 OEM friction disks will be reused, but all OEM steel drive plates will be replaced with Rekluse TEC drive plates. Also, only 6 of the 12 OEM drive pins will be reinstalled.

©2014 Rekluse Motor Sports
Rekluse Motor Sports, Inc.
12000 W Franklin Rd
Boise, Idaho 83709
208-426-0659
support@rekluse.com

INSIDE THIS DOCUMENT

- INSTALLATION
- SETTING THE INSTALLED GAP
- CHECKING FREE PLAY GAIN
- BREAK-IN
- MAINTENANCE
- EXP TUNING OPTIONS & ENGAGEMENT SETTINGS
- SLAVE CYLINDER APPENDIX
- TROUBLESHOOTING GUIDE

INSTALLATION TIPS

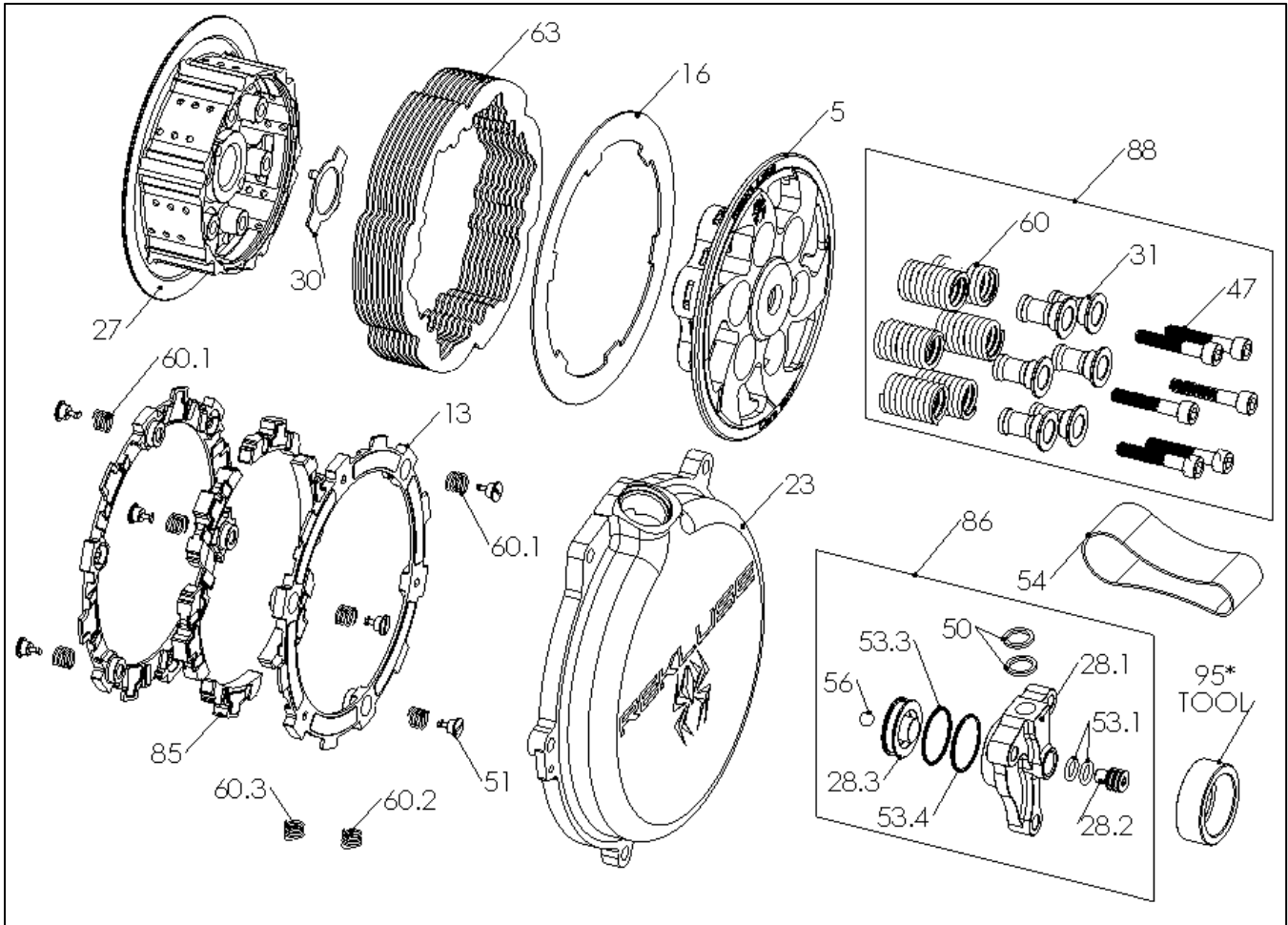


- Watch the “CORE EXP Auto-Clutch Installation Video” by following this QR code or visiting rekluse.com/videos.
- Read this entire document before performing any steps, so you will know what to expect.
- Be sure to use proper eye protection.
- Laying the bike on its left side makes clutch work easier and eliminates the need to drain the oil.
- An air or electric impact wrench works well to remove the center clutch nut, or you can place the bike in top gear and hold the rear brake while loosening the center clutch nut with a socket.
- Channel-lock pliers work best to bend the tabs of the washer up over the center clutch nut.
- Use clean, quality JASO MA certified transmission oil for best performance.
- Bikes with taller gearing or modified engines with increased horsepower may require heavier wedges and/or stiffer pressure plate springs which can be purchased separately from Rekluse.

TOOLS NEEDED

- 8mm socket
- 27mm socket (most models)
- 8mm & 12mm end wrenches
- 4mm & 5mm Allen keys
- Torque wrench (in-lb & ft-lb, or N-m)
- Channel-lock pliers
- Hydraulic clutch fluid

INCLUDED PARTS



Item	Item Type	Qty
5	Pressure Plate	1
13	EXP Base *	2
16	Steel Lining Plate	1
23	Clutch Cover	1
27	Center Clutch Hub	1
31	Screw Sleeve	6
47	Fastener – M6 Pressure Plate Bolt	6
51	Fastener - 1/4-Turn Pin *	6
54	Orange Free Play Gain Rubber Band	1
60	Pressure Plate Spring	6
60.X	EXP Adjustment Spring * (extra springs are included, see last page for EXP tuning options)	6
63	Steel Drive Plate (TEC Plate)	9
85	Wedge Assembly *	6
86	Adjustable Slave Cylinder Assembly (bleed syringe included)	1
88	Pressure Plate Bolt & Spring Assembly	1

* Denotes parts assembled as part of EXP disk assembly

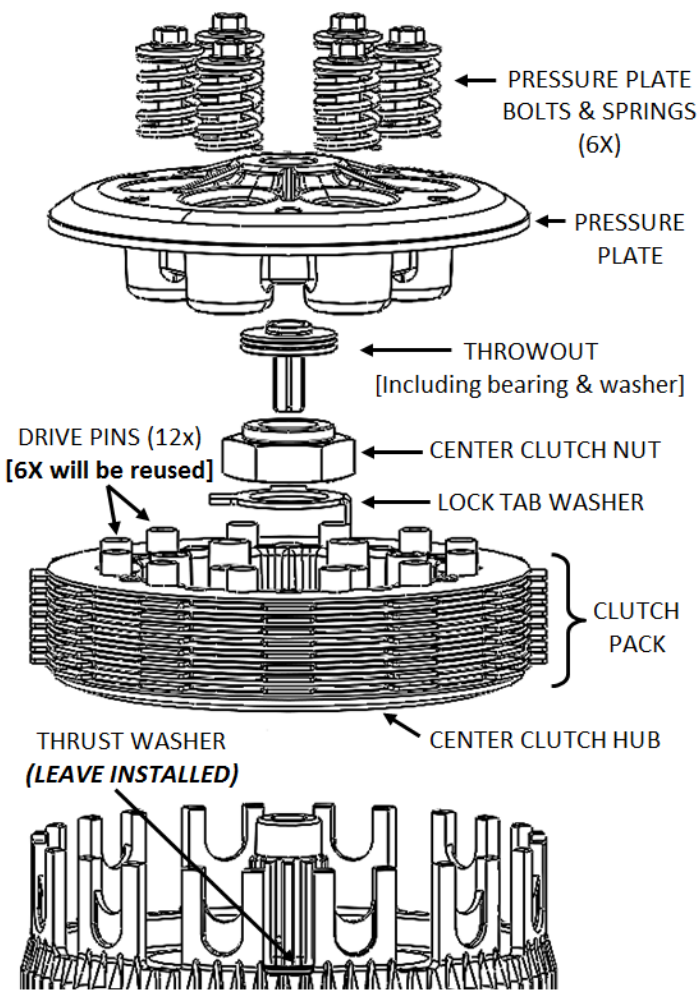
Visit Rekluse.com/support for a full parts fiche illustration and part numbers.

BIKE PREP & DISASSEMBLY

1. Lay the bike on its left side. Catch any fuel that might drain in a suitable container. Remove the clutch cover.

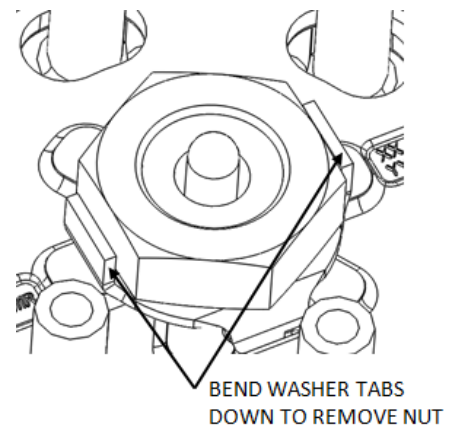


2. Remove the OEM clutch parts named in the following diagram down to the center hub. Leave the thrust washer installed in the basket.

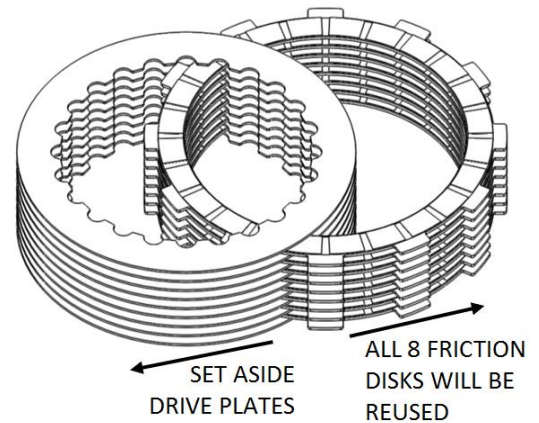


Tip:

- a. Use a hammer and large screw driver to bend down the tabs of the tab washer.

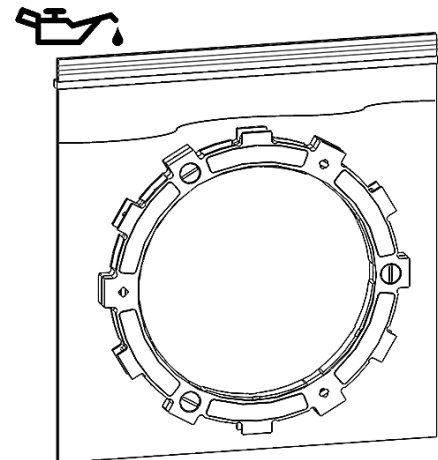


3. Separate the OEM clutch pack.



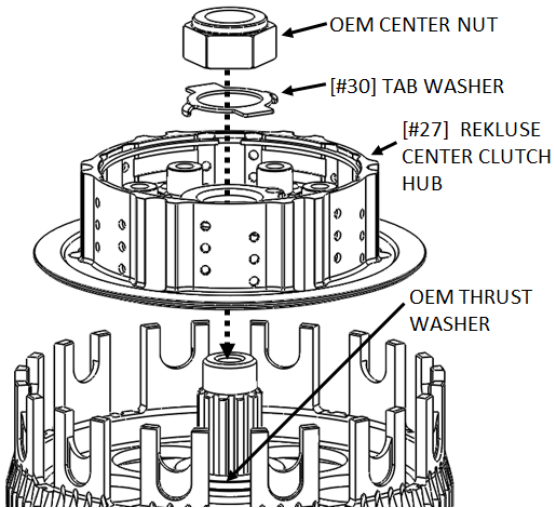
Inspect the friction disks for signs of heat or wear. Replace if they are burnt or worn.

4. Soak the EXP disk in engine oil for 5 minutes.

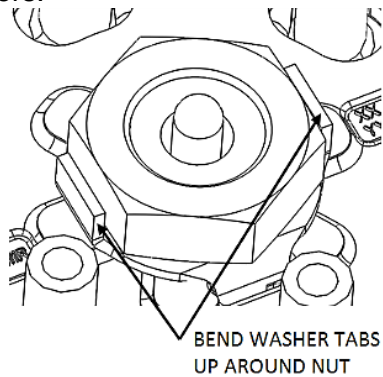


HUB & CLUTCH PACK INSTALLATION

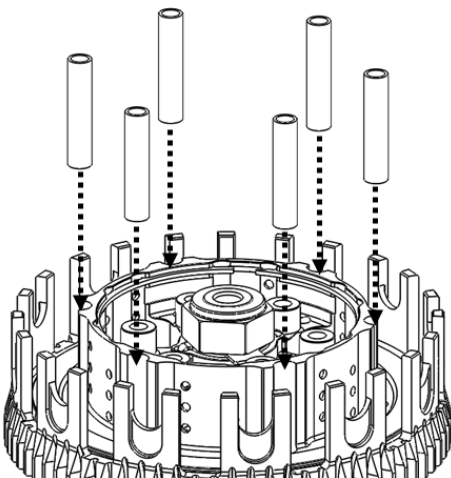
5. Install the Rekluse Center Clutch Hub, making sure the OEM thrust washer is in place.



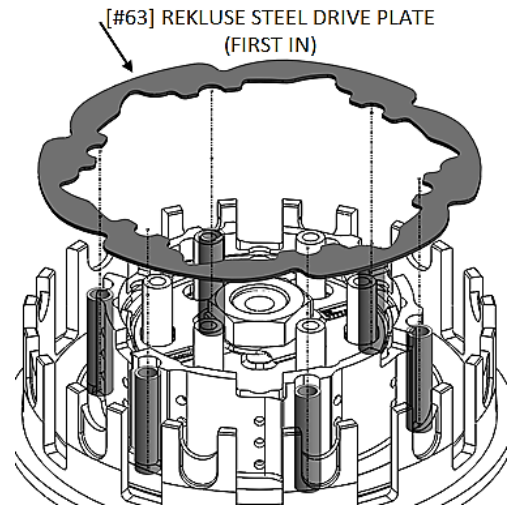
6. Torque the nut to OEM specification, and bend up **both** tabs of the tab washer using channel-lock pliers.



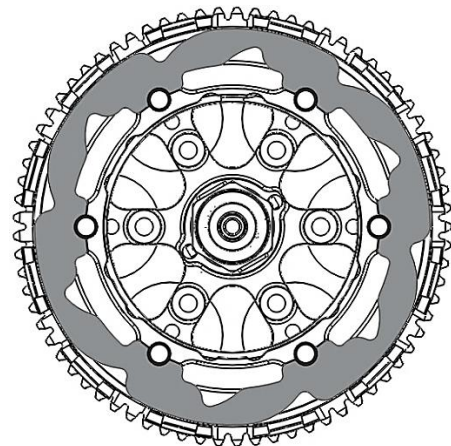
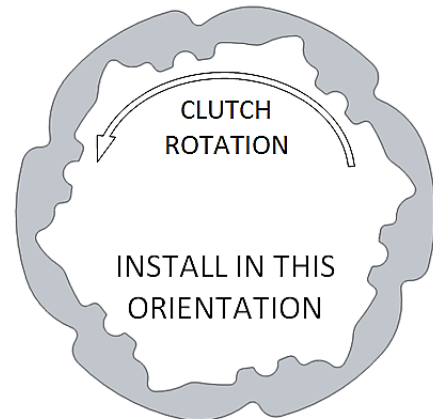
7. Seat 6 of the OEM drive pins into the hub.



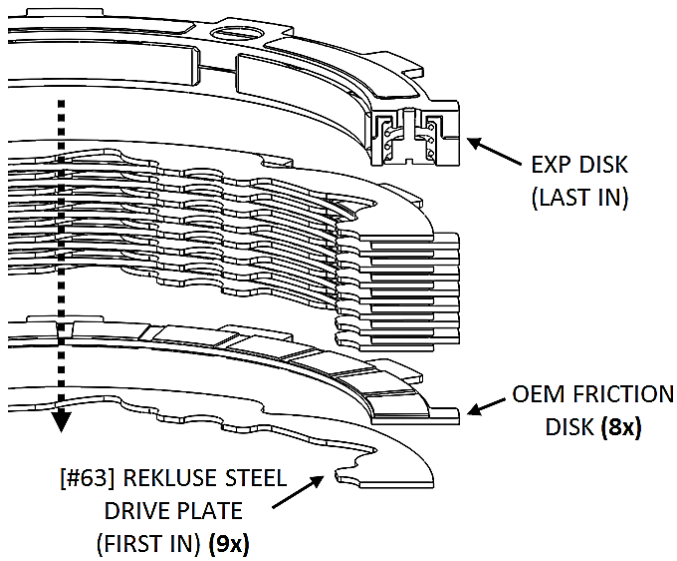
8. Install the first TEC drive plate in the orientation shown (all drive plates will follow this orientation).



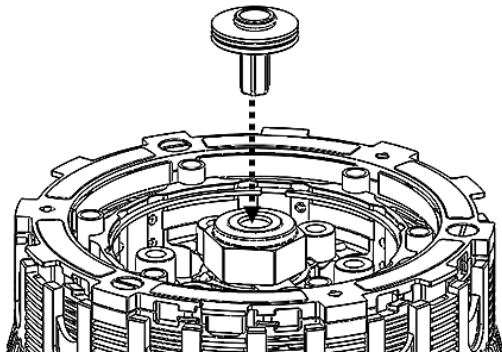
NOTE: Proper orientation of the drive plates is *critical* for optimal clutch performance. If you install them backwards, the clutch will still function but will lack proper modulation performance.



9. Install the rest of the clutch pack, noting the number and order of plates shown.

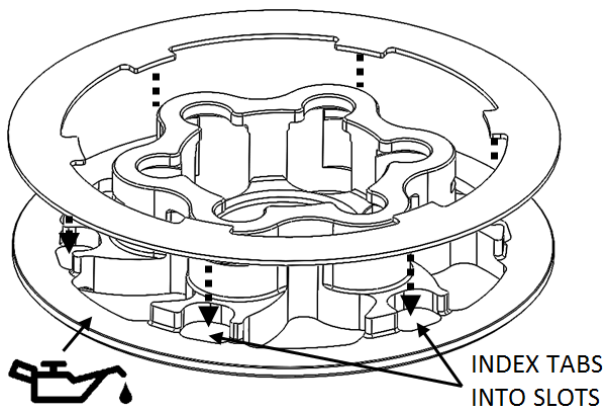


10. Reinstall the OEM throwout.

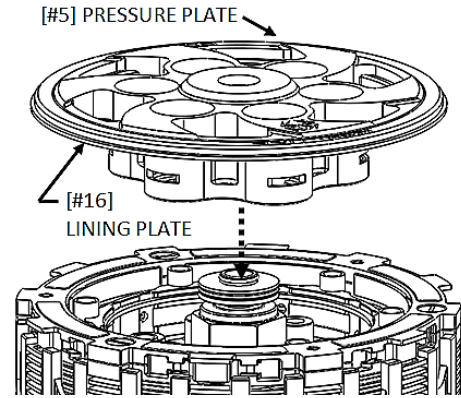


PRESSURE PLATE INSTALLATION

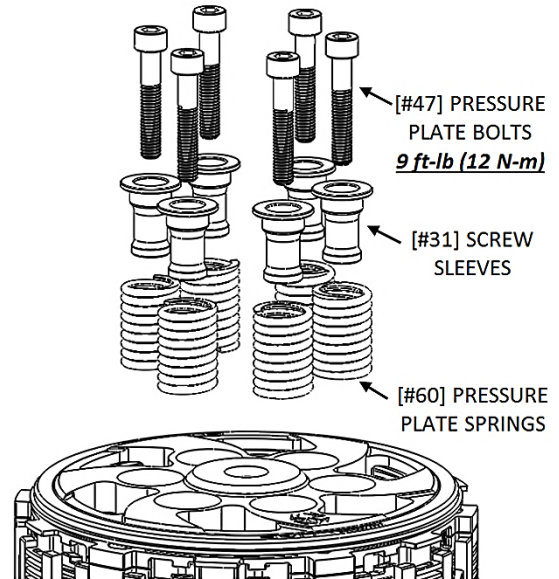
11. Place the Steel Lining Plate [#16] onto the Rekluse Pressure Plate [#5]. Adding an oil film between them will help them stick together.



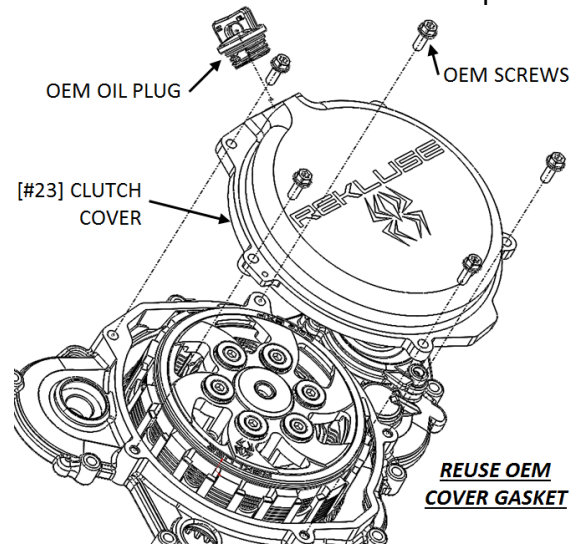
12. Install this pressure plate subassembly.



13. Install the Rekluse pressure plate springs and torque the pressure plate bolts. **Do not reuse the OEM springs!**



14. Install the Rekluse clutch cover, torquing the cover bolts to OEM specification.



SLAVE CYLINDER INSTALLATION

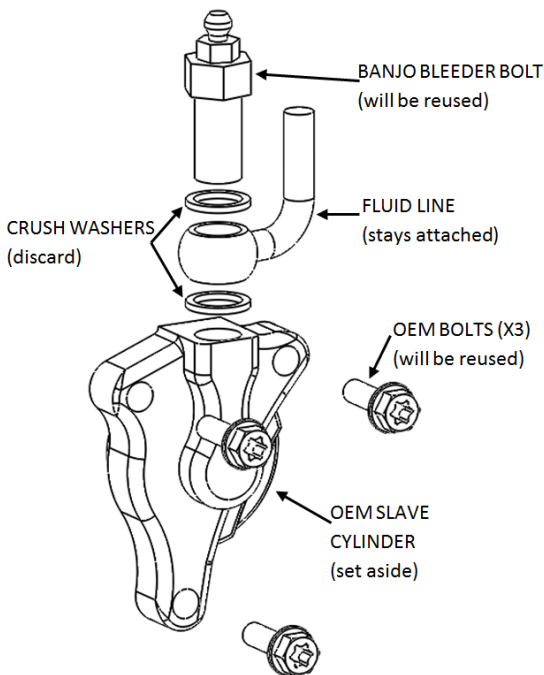
Handle with care! During assembly there is a small ball bearing [#56] installed in the slave piston [#28.3] with a small amount of grease. When installing the Rekluse slave cylinder, make sure the ball does not come loose.

NOTE: If you are installing this product on a KTM Freeride, please reference the included Slave Cylinder Appendix sheet for fitment instructions.

15. Stand the bike up and lean it on its kickstand or place it on a suitable bike stand.

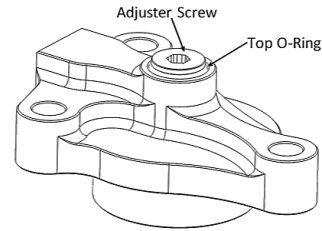


16. Starting at the slave cylinder, remove the OEM parts named in the following diagram beginning with the banjo bolt.

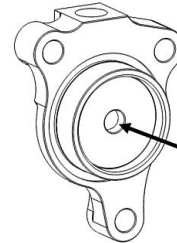


17. On a workbench (still away from the engine), bleed the Rekluse slave cylinder by this procedure:

a. Use a 4mm Allen key to make the top O-Ring [#53.1] visible on the adjuster screw [#28.2].



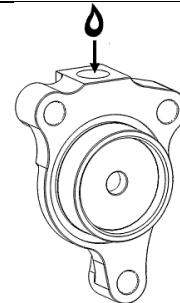
b. Compress the piston [#28.3] until it bottoms.



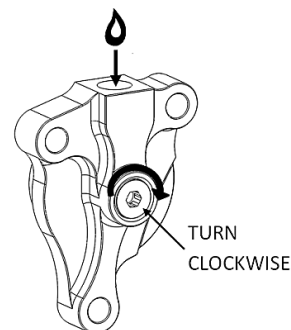
c. Pour clutch fluid into the slave cylinder port.

WARNING

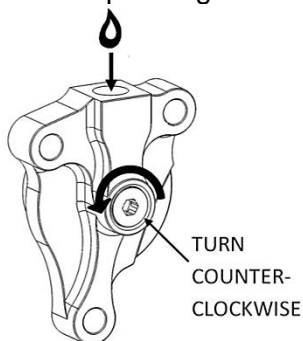
Be sure to use the correct clutch fluid! Check the cap of the clutch master cylinder to determine which clutch fluid to use. Failure to use the correct fluid will result in seal damage and/or failure.



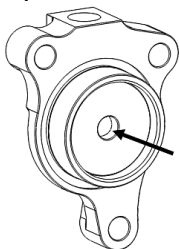
d. Turn the adjuster screw clockwise until it bottoms, keeping the fluid topped off.



- e. Turn the adjuster screw back to the initial position with the top O-ring visible.

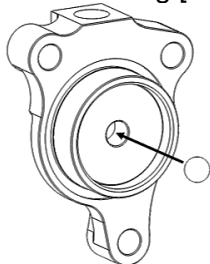


- f. Compress the piston until it bottoms out. Repeat the process until there is no longer air escaping from the top port when the piston is compressed.

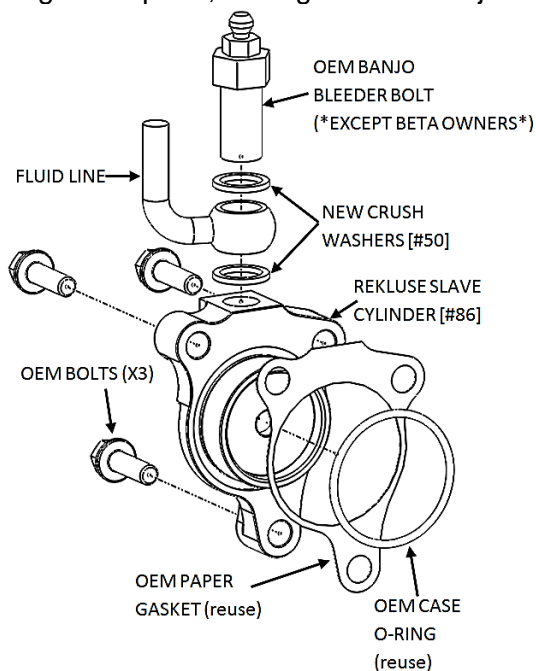


NOTE: When compressing the piston, fluid can shoot out from the slave cylinder port. Be sure to wear eye protection.

18. Check that the ball bearing [#56] is still in place.

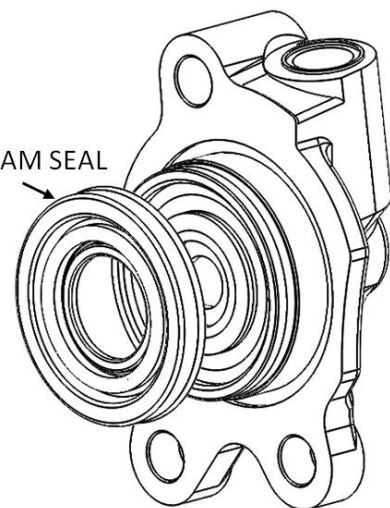


19. Install the Rekluse slave cylinder on the bike using these parts, ending with the banjo bolt.



NOTE: Some models have a paper gasket and/or O-ring seal. Reuse them if OEM equipped.

OEM PISTON DIAPHRAM SEAL
(do not reuse)

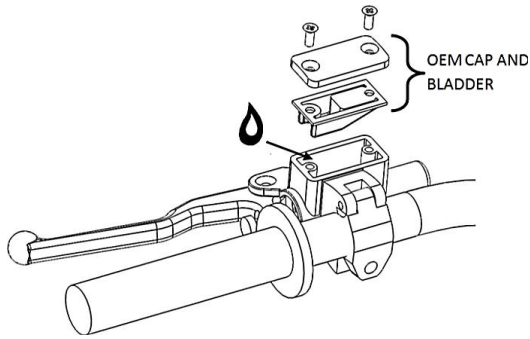


NOTE: Some models have a piston diaphragm seal. DO NOT REUSE them if OEM equipped.

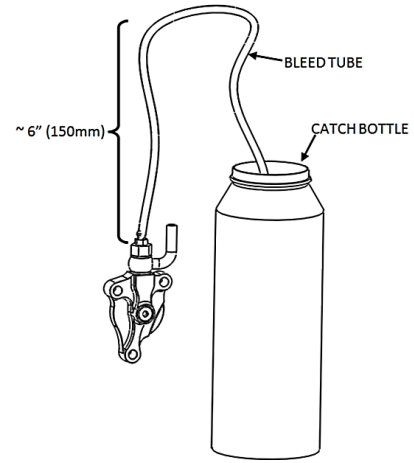
20. Optional: If you purchased the Rekluse Slave Guard accessory, install it now using the instructions in the kit.



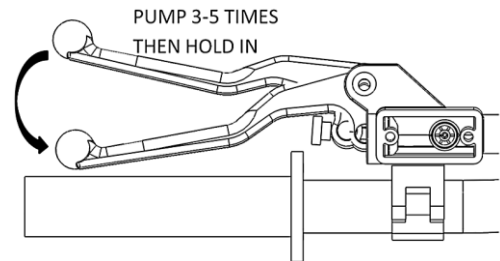
21. Remove the cap and bladder from the clutch master cylinder and top off the clutch fluid.



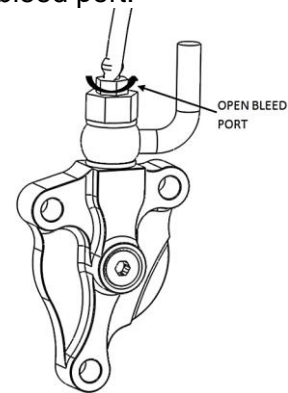
22. Attach the supplied bleed tube to the banjo bolt port and loop it into a suitable catch bottle.



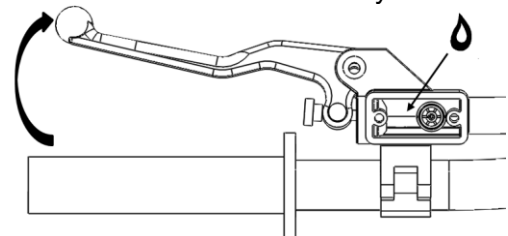
23. Pump the clutch lever 3-5 times then hold it against the bar/grip.



24. Using an 8mm wrench, open the bleed port. Air and fluid should come out of the bleed tube. Tighten the bleed port.



25. Slowly release the clutch lever and check the fluid level in the clutch master cylinder.

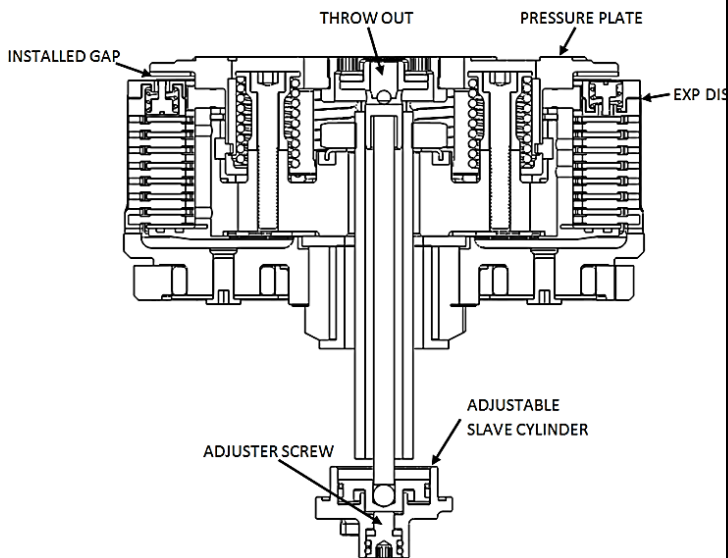


26. Repeat the previous 3 bleeding steps until air no longer comes out of the bleed port. Then, check that the clutch lever functions properly. Repeat the bleeding procedure if necessary.

27. Finally, remove the bleed tube.

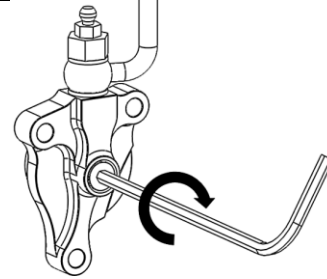
INSTALLED GAP SETTING

DEFINITION: “Installed Gap” is the separation in the clutch pack created by the adjustment of the Adjuster Screw in the Slave Cylinder. This gap is what allows the clutch to spin freely until the desired RPM is reached for engagement; it must be set correctly for optimal performance.



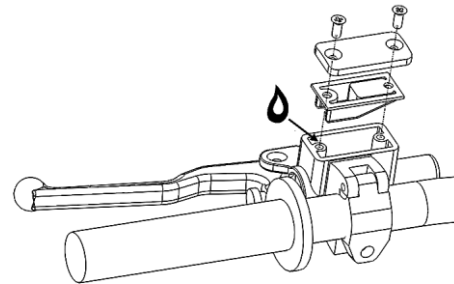
28. Using the long end of a 4mm Allen key, turn the adjuster screw clockwise until it stops under moderate pressure. You are trying to feel for the point at which the throwout will start to lift the pressure plate. This is the “starting point”.

NOTE: It may take a few tries to find the point at which the system is bottomed out. You should feel a distinguishable change in turning effort at this point.



29. Once you have found the starting point, turn the adjuster clockwise 1 full turn plus 5 marks (or “1+5”). **This is NOT your final setting**, but it is a good reference point for using free play gain to find the correct setting.

30. Top off the master cylinder with clutch fluid and reinstall the OEM cap and bladder.



CHECKING FREE PLAY GAIN

WARNING

Always make sure that the bike is in NEUTRAL before checking Free Play Gain. Failure to do so may result in the bike lurching forward, and loss of control and/or injury may result.

NOTE: Before performing this step, please visit our website at rekluse.com/support to view the TECH VIDEO entitled “How to Check Free Play Gain”.

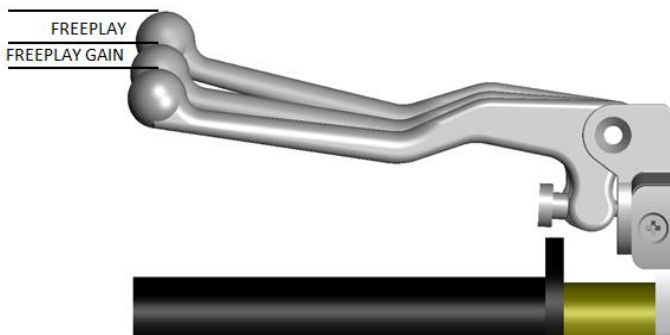


“Lever Free Play” is essentially the “slack” in the clutch lever before it starts actuating the clutch.

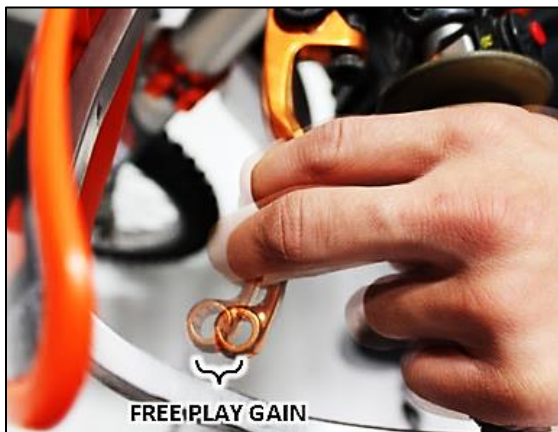
Applying a light finger pressure will take up this slack.



“Free Play Gain” is the increase of lever free play as the auto-clutch engages. This happens when the RPM increase from idle through around 5000 RPM. Free Play Gain is caused by the expansion of the EXP disk which lifts the pressure plate away from the throwout assembly.



Optimal Free Play Gain yields **1/8” (3mm)** of clutch lever movement, measured at the end of the lever. This measurement at the lever correlates to achieving the ideal installed gap.



The following steps explain two ways to check Free Play Gain. One will use the rubber band that has

been included in the clutch kit and one explains using your hand, which you will perform before every ride.

Place the bike in neutral, start the engine and let it warm up for 2-3 minutes.

Rubber Band Method:

It is recommended that you use this method first to find your Free Play Gain so you can see what it is. Then, check it by hand as well so that you can effectively and comfortably check free play gain every time you ride.

Wrap the included rubber band around the outer end of the handlebar grip and attach it to the ball end of the clutch lever.

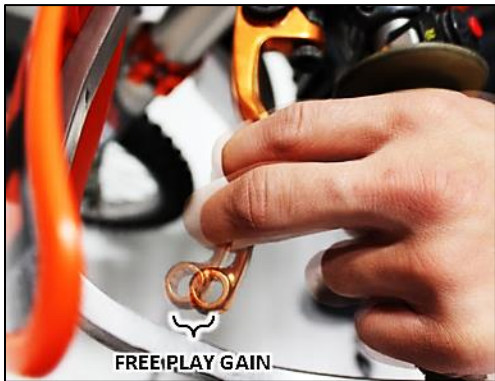


With the bike at idle in neutral, quickly blip (rev) the engine to at least 5,000 RPM and let it return to idle. **The clutch lever should move in about 1/8” (3mm) toward the handlebar as you rev the engine.**

Note: If you are not getting the correct lever movement, see the “Free Play Gain Troubleshooting Guide” on the next page.

Hand Method:

Free play gain should also be checked using your hand, as you will check it by hand before every ride. With the bike at idle, apply enough pressure to the lever to take up the initial freeplay (slack) shown in the photos on the previous page. While continuing to apply light pressure, rev the engine to at least 5,000 RPM. **The clutch lever should move in 1/8” (3mm) under your finger pressure as you rev the engine and the auto-clutch engages.**



BREAK – IN

Follow these procedures for a new installation and any time new friction disks or EXP bases or wedges are installed.

1. Rev cycles: Warm up the bike for 2-3 minutes. With the bike in neutral and your hand **off** of the clutch lever, rev the engine 10 times, being sure to let it **return to idle** between each rev cycle.
2. With the engine running, pull in the clutch lever and click the bike into gear. Slowly release the clutch lever. The bike should stay in place, perhaps with a slight amount of forward creep.
3. Now that the bike is idling in first gear, slowly apply throttle to begin moving. To break in the clutch components, perform the following roll-on starts in 1st and 2nd gear without using the clutch lever: In 1st gear, accelerate moderately to approximately 5,000 RPMs and come to a stop—repeat this 5 times. Next, starting in 2nd gear, accelerate moderately to approximately 5,000 RPMs then come to a stop—repeat this 5 times.

4. Now that the EXP is broken-in and the clutch is warm, re-check free play gain at your clutch lever and adjust if necessary. Your clutch pack will expand with heat, so final adjustments should be made when the bike is warm. Now you are ready to ride!

WARNING: DO NOT RIDE WITHOUT SUFFICIENT FREE PLAY GAIN!

Checking free play gain is easy and takes less than a minute to perform. For optimum performance and longevity, check free play gain when the bike is warm at the start of every ride.

FREE PLAY GAIN TROUBLESHOOTING

Each adjustment should be done in small increments - one tick mark at a time. After each adjustment, repeat the rev-cycle until optimal free play gain is achieved.

Symptom:

- Clutch lever moves in too far (too much free play gain)
- Clutch has excessive drag
- It is difficult to fully override the clutch with the lever

Answer: Installed Gap is too small

Solution: Turn the Adjuster Screw inwardly (clockwise) to increase the Installed Gap.

Symptom:

- Clutch lever does not move enough or does not move at all (too little free play gain)
- Clutch is slipping

Answer: Installed Gap is too large

Solution: Turn the Adjuster Screw outwardly (counter-clockwise) to reduce the Installed Gap. It may be helpful to re-find the starting point.

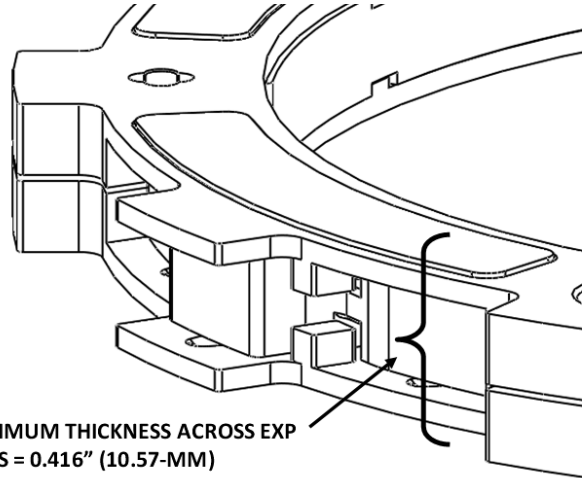
CLUTCH NOISE

Although it is harmless, some bike models may have “squeal” or “chatter” coming from the clutch at low RPM as it engages. Clutch squeal is caused by the clutch components vibrating as the clutch engages and can become more audible as the clutch gets hot. For bike models that tend to have clutch squeal or chatter here are some recommendations to reduce or eliminate it:

- **Oil:** Rekluse recommends that you have fresh, clean JASO-MA rated oil for best clutch performance. Dirty or old oil can make the clutch more likely to squeal or chatter. Some heavy-duty oil stabilizers or other additives have been known to reduce noise and make shifting smoother. Be sure that any additives you might use are approved for use in wet-clutch motorcycles.
- **Clutch Basket:** Available for some models, a Rekluse Clutch Basket will eliminate clutch squeal and chatter in most cases because it is precision machined from high quality material and includes long-life clutch dampers. A clutch basket that is damaged or has worn-out dampers tends to increase clutch noise.
- **Installed Gap:** Adjusting the Installed Gap will NOT affect clutch squeal or chatter

MAINTENANCE

- Maintain adequate free play gain, checking before every ride and adjusting if necessary.
- Keep up with regular oil changes as per the bike manufacturer’s recommendations. Clutch function and longevity depends on oil quality.
- Inspect all of your clutch parts **every 40 hours** for signs of wear or excessive heat, and replace components as necessary.



- Repeat the break-in procedure anytime the friction disks or EXP bases or wedges are replaced. Always soak friction disks or EXP bases in oil for at least 5 minutes before installing.

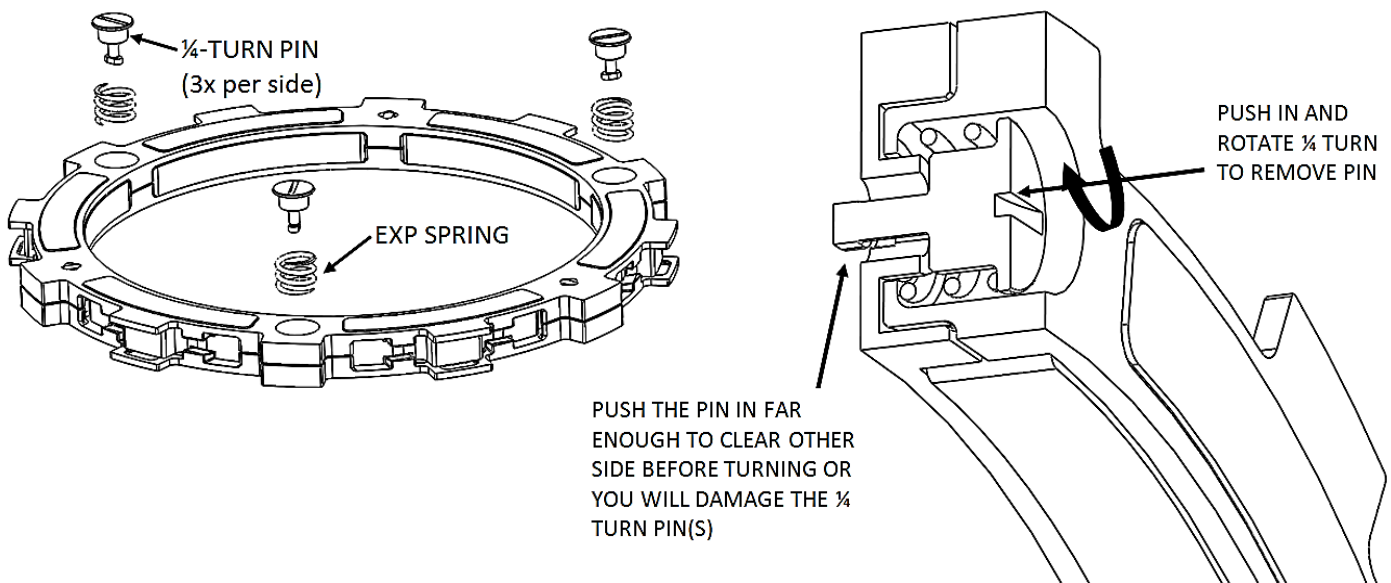
EXP TUNING OPTIONS

Included are spring options to tune the engagement RPM of the EXP disk. The EXP disk comes set with the recommended “**Medium**” setting from Rekluse.

ENGAGEMENT SETTING	SPRING CONFIGURATION
Low	3 Silver & 3 Red
Medium	6 Red
High	3 Red & 3 Blue

Adjusting the engine idle speed to match your engagement setting is important and greatly affects the overall feel of how the EXP disk engages. To prevent freewheeling and maximize engine braking, set the idle so there is a slight amount of drag while the bike is idling in gear and warmed up. The idle should not be so high as to move the bike forward in gear with the throttle closed. However, with a small opening of the throttle the bike should move forward.

It is **NOT necessary** to disassemble the EXP halves to change springs! To change springs, remove 3 of the ¼-turn pins from one side of the EXP, replace springs, and re-install ¼-turn pins. Next, flip the EXP disk over and repeat on the other side if necessary. To maintain even pressure when using two different color spring sets, install one color set of 3 on one side of the EXP and the remaining color set of 3 on the other side.



CAUTION: If you disassemble the EXP, bearing pads may fall out or be stuck to the ramp surfaces of the EXP bases. Take care to ensure all pads are correctly placed into wedge pockets using gentle pressure to avoid damage to the pad surfaces before reassembling the EXP. Properly seated pads will be secured in place once the EXP is reassembled. Operating the clutch without the pads in place will cause part damage or failure.

